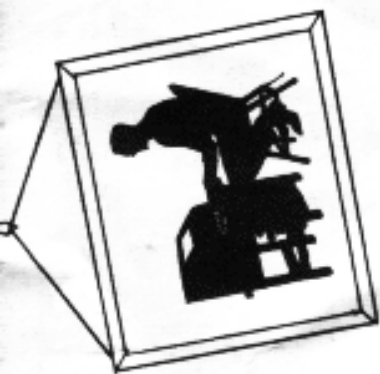
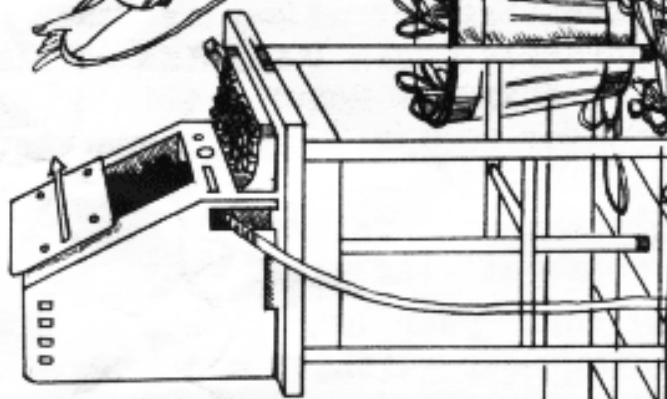
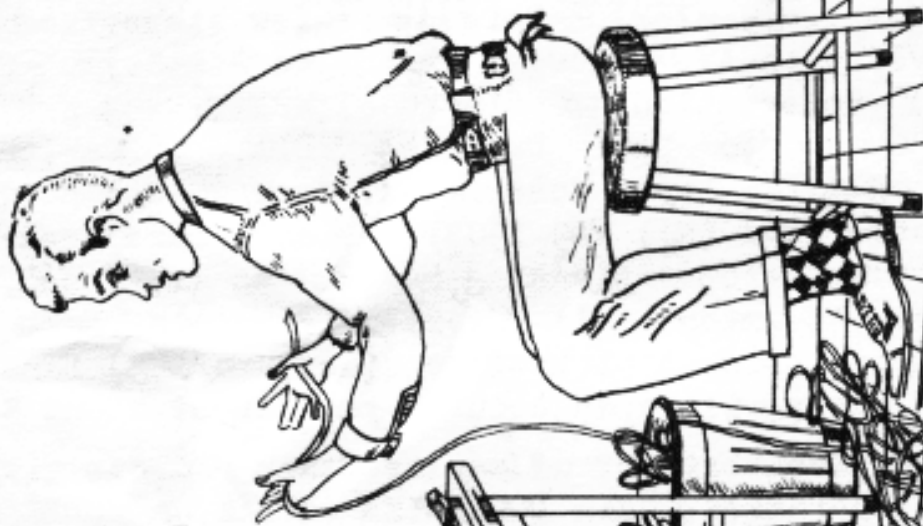
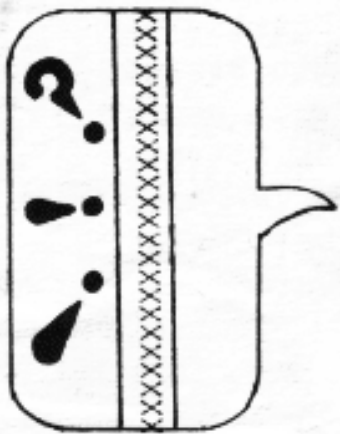


ARTS 53



FIFTH ANNUAL NATIONAL RTTY DINNER will be held in New York City on March 23 (Monday). Location is the Stonewall Inn (private dining room), 53 Christopher St, New York 14, N Y (Watkins 9-9385 or Watkins 9-9732). This is a few steps from 4th Street and 7th Ave (7th Ave subway or bus to 4th St). Send seven dollars* for reservation to Clay Cool W2EBZ, 443 W 47th Street, New York 36 or to Carl Daniels W2ODA, 16 Carlton Terrace, Rutherford, N J. (Clay's fone is New York Judson 6-1968, Carl's fone is Rutherford (NJ) WE9-1903). Please make reservation before 9 March so proper planning may be accomplished. Indicate your choice of menu: 1) Broiled Virginia Ham, Hawaiian; 2) roast spring chicken with apple sauce; or 3) London broil, pan gravy. Doors will open about 7 pm, dinner about 8 pm.

Please forward an abstract of any techtalk you can give, so that you may be programmed. Main DOORPRIZE will be a MODEL 26 printer or equivalent. GUEST OF HONOR will be CAIRD ROBERT CLEMENTS, W2TOX, the YOUNGEST RTTYER. Bob, nephew of W9GLR, is active on the air and is a builder----all gear is homebuilt (mostly do-it-yourself kits) except his Model 26, and he has reconditioned that down to about the last nut and screw!

The location this year has plenty of elbow room; a PA system (the better to hear with!); and even a piano in case anyone wishes to entertain on ivory keys. MASTER-OF-CEREMONIES will be Carl W2ODA, an active RTTYer on 80M and 2M.

We have seen the SIXTH Annual Dinner announcement in 5 magazines but a recount shows that it is the FIFTH (effects of Old Crow!). So, as corrected above, please consider it the FIFTH!

If anyone will be in town SUNDAY pm March 22 and wishes a tour of local RTTY shacks, let us know.

New York City is 3-1/4 hours from Hartford and Baltimore, 2 hr from Camden-Philadelphia, 4-1/2 hr from Washington, and 5-1/2 hr from Boston by Trailways bus.

P S: For minors under 18, reservation is \$3.50.

BOSTON RTTY GET-TOGETHER will take place on Saturday March 21st at the Smith House, Cambridge, Mass. Merrill Swan W6ANE and other notables of the amateur RTTY world are expected to be present. For reservations, send four dollars to Tom Howard, Box 19, Boston 1, Mass. For further information also contact Tom.

(cont'd fm p. 4)

Bill Henn
 See KN2OWC/OWD

K2SFY / AA2SFY
 Douglas B. Couse Sr
 PO Box 38
 Acra, N Y

W2TOX Bob /A2TOX
 Caird Robert Clements
 331 76th St
 Brooklyn 9, N Y
 ARTS 53-2

K2ZSE
 Frank A. Rosolowski
 437 Skiff Drive
 Syracuse 11, N Y
 W2ZXM/MM
 Capt. Carlsen
 SS Flying Enterprise
 17 Broadway
 New York, N Y

 Amateur Radio-
 Teletype'S Bulletin
 No. 53 Jan-Feb 1959

Every effort is made to make these listings complete and correct. W2's are listed in ARTS#52, etc---Any ten issues will thus contain a complete QTH listing. ONLY active RTTYers are listed. Omissions and corrections invited. de W2EBZ

Q T H W 3 R T T Y A M A T E U R S

W3AAB
 Russell L. Parker
 8713 Gilbert Place
 Takoma Park 12, Md

K3ACJ
 Arthur L. Jerome
 2834 Elliott St
 Baltimore 24, Md

W3AFR
 George M. Hannah
 Madison, Md

W3BXN
 Edwin R. Gibson
 813 Green St
 California, Pa

K3BYA (W2GHH)
 Kern M. Bowyer
 13 Rock Manor Av
 Wilmington 3, Del

W3CA Ken
 Kendall H. Speer
 cor. Main & 2nd St
 West Newton, Pa

W3CRO Dick
 Richard Urian
 256 Parham Rd
 Springfield, Pa

W3CYT
 Roy E. Skipton
 3103 Shepherd St
 Mount Rainier, Md

W3CZE
 R. E. Macomber
 PO Box 68
 North Beach, Md

W3FMC/W4FMC HR*
 Fred W. Albertson
 3753 Jenifer St NW
 Washington 15, DC

W3FU / A3FU HR*
 John Towse
 736 S Salisbury Blvd
 Salisbury, Md

W3GIV/5
 Allen J. Daniel Jr
 2504 Northside Dr
 Bossier City, La

W3IVL Bill
 William R. Wenner
 RD 3
 Perkasio, Pa

W3KYR
 Boys Club of
 St Mary's ARS
 19 N St Mary's St
 Box 311
 Saint Mary's, Pa

W3LDS Tony
 Antonio Gallo
 RD 1
 Kittanning, Pa

W3LGK
 Frederick H. Wise
 324 Chestnut St
 Saint Marys, Pa

W3LMC
 Howard W. Snyder
 4330 Glenmore
 Baltimore 6, Md

W3LWQ
 Wilbur A. Rimer
 456 Dippold Av
 St Mary's, Pa

W3MHD HR*
 Frank C. Gibson
 PO Box 376
 Broughton, Pa

W3MKZ / KA9RQ
 R. E. Quenstedt
 HQ NSAFB
 APO 500 San Francisco

W3MWV
 Erwin Lange
 342 Prospect St
 Sharon, Pa

W3NDE (W3KYR)
 Henry J. Brock
 228 Church St
 Saint Mary's, Pa

W3NEP
 James A. Cunningham
 226 New York St
 Scranton, Pa

W3NNV
 W. Paul Egleston
 405 S 3rd St
 Colwyn, Darby, Pa

W3NQA HR*
 Richard A. Gilson
 201 Pioneer St
 Warren, Pa

W3NQC HR*
 Donald F. Esslinger
 2715 Bauernwood Av
 Baltimore 14, Md

W3NQV
 Russell E. Gough
 5625 Valley View Dr
 Bethal Park, Pa

K3NSS
 Special Services Div
 USN Radio Station (R)
 Cheltenham, Md

W3OGD HR*
 George R. Sharp
 3919 Brisban St
 Harrisburg, Pa

W3PKF Ed
 Charles E. O'Bryon
 Rte 5 (Shookstown Rd)
 Frederick, Md

W3PLG ex-W9CWY
 Harry Rappaport
 752 Elmwood Av
 Sharon Hill, Pa

W3PYW
 Frank C. White
 2706 Harmon Rd
 Silver Springs, Md

W3PZA Red Cross
 USNREF W-1
 930 H St
 Washington 1, DC

W3QLQ
 Lee J. Dawson
 6608 Vernon St SE
 Washington 21, DC

W3RHX Now K2QGH

W3TCQ HR*
Robert C. Treadwell, Jr.
530 Shipley St
Seaford, Del

MARS RATT A3USA
Signal Section
HQ, 2nd Army
Bldg 4659
Ft George G Mead, Md

W3UWM Ken
Kenneth W. Harris
127 Crescent Dr
Pittsburgh 28, Pa

W3VU
Edward E. Jones
407 Lincoln Av SW
Glen Burnie, Md

K3WAL
Det 2, 2332-3
Carnegie Institute
of Technology
Pittsburgh 13, Pa

W3WG
Boyd King
Prince Frederick, Md

W3WRE Louise HR* %
Mrs W. F. Moreau
639 Russell Av
Johnstown, Pa

W3WTW
Robert B. Blackwell
1366 E Capitol St
Washington, D C

W3YRB Bill HR* %
W. W. Blessing
92 Oneida Rd
Camp Hill, Pa

W3ZCS
Robert Rhule
7447 Race St
Pittsburgh 8, Pa

W3ZJ Now K6OI/1

W3ZJT
W. J. Futch
RD 3
Wyoming, Pa

W3ZYK HR* %
Harry L. Metzger
Box 66
Mechanicsburg, Pa

W2SSS/3
John J. Schueler
4706 Norwich Rd
College Park, Md

W4ZPZ/3
1st Lt Neal Sheffield
2151-1 SU Dental Det
Aberdeen Proving
Ground, Md

KL7HL/W3
Albert Jason
FCC Box 31
Laurel, Md

Wade H. Lockey
4518 Old York Rd
Philadelphia 40, Pa

AIR/WAR MARS
Room BE-1000
The Pentagon
Washington, D C
James P. Mickelson
RD 1
Tidioute, Pa

James A. Mose
Main & Hall St
Box 131
Sharpsburg, Md

% W3WRE is xyl of W3WRC

% W3ZYK xyl is W3BGI

% W3YRB xyl was WN3GOU

* HR = Listed in Ham
Register 1958.
Ham Register is \$5
via W3VKD
Art Lewis
RD 2
Indiana, Pa

W2 CORRECTIONS
SEE ARTS 52

WV2DMY
Otto Mildner
841 River Vale Rd
Westwood P O, N J

K2DOH Bob
Robert G. Stoeber
22 Stephen St
Montclair, N J

W2HDQ Hank
Henry S. Pustarfi
9 Norman Ave
Lake Hiawatha, N J

W2IGX
John I. Stockwell Jr
13 Columbus Ave
Montclair, N J

K2IRB
Umberto A. Botticelli
173 High St
Nutley, N J

K2IZD DELETE

W2JCM HR*
John E. Litfin
Gen. Del.
Landing, N J

K2KGB
Larry R. Cohen
100 Brook Ave
Passaic, N J

ex-KN2KLY DELETE

K2LWI Willie
Rolla C.
Williamson Jr
RD 3
Clay, N Y

W2OGM Sid
Sydney N. Mitchell
37 Yahara Ave
Rutherford, N J

KN2OWC / KN2OWD
Bill Henn Sr / Jr
161 Menahan St
Brooklyn 21, N J

(cont'd on p. 2)

The circuit described has been in constant use at W20DA since joining the RTTY ranks over a year ago. It can be built in a separate Minibox or directly incorporated into your present loop circuit. There is only one switch used and that is the SEND-RECEIVE toggle switch S1 mounted in the blank plate on the right side of the Model 26. Operation is as follows: With the switch in RECEIVE, the converter supplies 60 ma loop current on MARK signal. The RC network across relay K1 determines time delay of closing motor contacts. A normal SPACE signal will immediately key the selector magnets but have no effect on K1 due to RC network. SPACE signals longer than 1 to 3 seconds will give the charge on C time to leak off, thus opening motor contacts. Relay K2 follows the signal and its contacts can be used to key an AFSK oscillator for relaying, or may be used for keying a reperf. On SEND, the converter is disconnected and the local "battery" supplies the 60 ma loop current. Operation of the keyboard gives local printer copy, and K2 keys the transmitter. The reversing switch S2 is used as necessary.

A nice feature is that when the fellow you are receiving sends his last character, you flip your switch to send so that his CW will not affect copy, and (after listening for any break-in stations) you are ready to throw your carrier on and reply.

PHASE-SHIFT CONSIDERED LEGAL (even tho unincorporated!) de W2EBZ

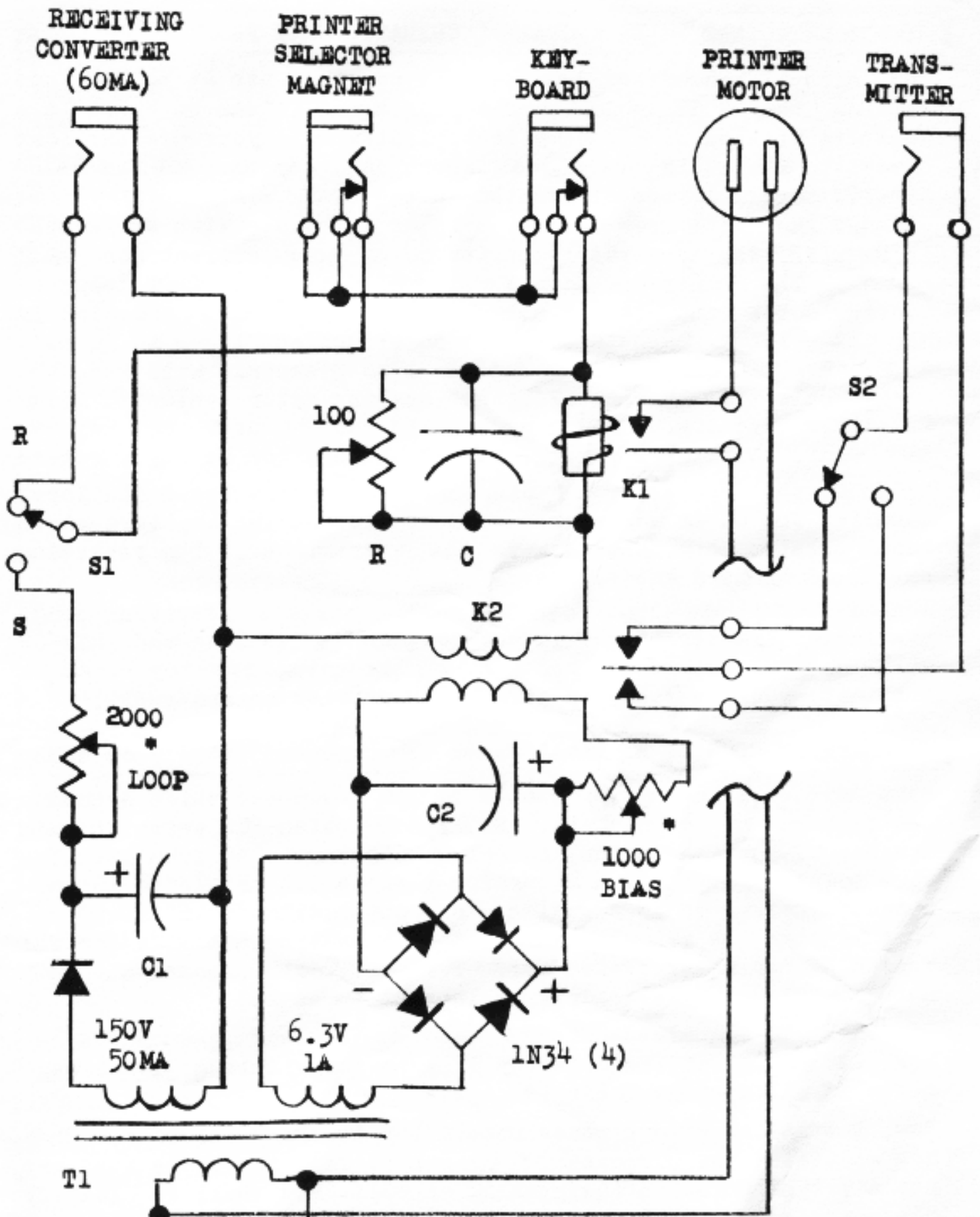
Some have questioned the status of the new phase-shift systems. Let's take a look at it. A \emptyset type emission (an emission with absence of any modulation) cannot be distinguished from F \emptyset . The fine point is that A \emptyset is a carrier that is not modulated in amplitude, whereas an F \emptyset signal is one not modulated in frequency! This is like the man who could not stop beating his wife for the reason he had never beaten her! For practical purposes a signal not modulated may as readily be labeled F \emptyset as A \emptyset .

Of course F \emptyset signals cannot be used on amateur frequencies below 51mc. However, we do enjoy F1 emission within at least segments of all amateur bands (excepting 160M).

Now, let's look at our phase modulation telegraph signals. They are modulated for purposes of communication, therefore they are not a \emptyset type emission (neither A \emptyset or F \emptyset). How shall we classify the emission?

According to Atlantic City 1947 Treaty (to which USA is signatory) an F type emission is designated as frequency OR PHASE modulation. (This designation is dittoed in the USA in ACP 121-(B)-1 July 1953 and other publications.) Thus, phase-shift telegraphy is an F1 type emission and permitted to amateurs by FCC regulations in the F1 segments of the amateur bands. Frequency deviation is ZERO, which is surely well within the 900 cycles maximum permitted! The FCC regulations contain no restrictions as to the amount of phase shift used by amateurs.

In consideration of the few monitoring receivers able to monitor phase-shift telegraphy, amateurs using this method may be expected to be polite enough to use A1 emission for Morse signing!



*ADJUST BIAS POT. FOR 30MA.

*ADJUST LOOP POT. FOR 60MA.

- K1 ANY RELAY THAT PULLS IN AT 3MA
- K2 215 OR 255 POLAR RELAY
- T1 STANCOR PA8421, 150V 50MA, 6V 1A
- C1 40UF 250VDC
- C2 2000UF 15VDC

W20DA "AUTOSTART" CONTROL

115V
AC
IN

TELEPRINTER EQUIPMENT FOR SALE TO AMATEURS FOR AMATEUR USE ONLY. Waiver required for printers and perforators. Except as noted, price includes packing charge. Money promptly refunded for items out of stock. Condition good or as noted. These prices do not permit complete overhaul of equipment---any broken or missing parts supplied.

MODEL 14

Keyboard \$35
 Printer cover 20
 Typing Unit, sync motor. 45
 Typing reperf (price depends on condition, inquire)
 Motor, 115vac sync w/base. 22
 Motor, ac governed, used 5

MODEL 15

Complete, w/sync motor \$115
 " " w/ ac governed motor 100
 Keyboard. 12
 Printer cover 20
 Typing unit 50
 Motor, 115vac sync w/base. 22
 " " ac governed, w/ lamp and switch, new 10
 Base, w/ sync motor 40
 Table, wood (FOB NYC). 5
 Table, steel (\$3 packing). 17

MODEL 19

Complete, w/ sync motor and table \$400
 Keyboard perforator. 110
 Power supply, 800ma dc, used good (\$5 packing). 25

MODEL 26

Complete, w/sync motor, communications keyboard (no fractions)(FOB NYC). \$75
 Keyboard 25
 Motor, 115vac sync 22
 Printer cover 10
 Typing unit, w/sync motor. 40

TAPE PERFORATOR, 5-unit code, complete w/ tape cover, end-of-line indicator, and paper holder \$47

TRANSMITTER-DISTRIBUTOR

w/ sync motor, xclnt condx \$4.50
 TYPE MXD, approx 4x5x5", requires motor and gear, technical details on request, new 45
 used good 30

POWER SUPPLY (all 110vac to 110vdc)

Model 19, used good, 800ma (\$5 for packing) \$25
 Rectifier supply (WE) 120ma cont duty (\$2 packing) \$10
 Rectifier RA-87, 400ma, new \$25

FREQUENCY SHIFT CONVERTER Group

AN/URA-6, dual diversity, includes CM-14/URR and 2 CV-57/URR in rack cabinet
 Comparator CM-14/URR, provides diversity for 2 CV-57/URR
 Frequency Shift Converter CV-57/URR accepts IF freq 395 to 475kc, AFC, 60ma TT loop output plus tone keyed output
 PRICE AND CONDITION ON REQUEST

POLAR RELAYS

209FB xclnt condx \$4.00
 215A xclnt condx 4.75
 Socket for 215A/255A, new 1.00
 228A 1.00
 255A xclnt condx 5.75
 D91711 xclnt condx 4.00

PARTS, new 50% off, used good 60% off. Models 1-A, 1-B, 14, 14 reperf, 15, 15 perf, 19, 20, 24, 24-A, 26, 28, Wheatstone or Klein-schmidt Morse perf, TD

FELICIANO I. ESTEBAN

W 2 Z K V

84-24 - 57th AVENUE

ELMHURST 73, N. Y.

Phone Illinois 8-9691

OUR EMBLEM: THE EDITOR OF THIS BULLETIN MANY YEARS AGO HAD THE EMBLEM (LEFT) DESIGNED EXCLUSIVELY FOR THIS BULLETIN. THE ARTIST WAS PROPERLY COMPENSATED FOR THE DRAWING. THIS EMBLEM HAS BEEN USED EVER SINCE AS THE "TRADEMARK" OF THIS BULLETIN. NO ONE ELSE HAS THE RIGHT OR PERMISSION TO USE THIS EMBLEM. WE NOTE A RECENT ATTEMPT BY A PAID COLUMNIST IN ANOTHER PUBLICATION (NOT QST) TO IMITATE OUR EMBLEM, AND BY SO DOING TO TRADE ON THE PRESTIGE, GOOD WILL, AND POPULARITY OF THIS BULLETIN. THE PUBLISHERS OF THIS BULLETIN CONSIDER THIS COUNTERFEITING OF OUR EMBLEM TO BE THE LOWEST FORM OF THIEVERY AND PLAGIARISM.



PUBLISHED FOR ALL RADIO AMATEURS INTERESTED IN RADIOPRINTER, RADIOPHOTO, AND AUTOMATIC RADIOTELEGRAPHY. SUBSCRIPTION RATE: \$3.00 FOR 12 ISSUES TO U.S. ADDRESS OR TO AMATEUR RADIO FOREIGN ADDRESS. NEWS, RTTY TECHNICAL INFORMATION, COMMENTS, CRITICISM INVITED. ADVERTISING RATES ON REQUEST. RED INK MARK TO THE LEFT INDICATES THAT YOUR SUBSCRIPTION HAS EXPIRED, OR IS ABOUT TO EXPIRE, AND YOU SHOULD RENEW PROMPTLY TO CONTINUE RECEIVING THE BULLETIN. MAKE CHECK OR MONEY ORDER PAYABLE TO W2EBZ OR THE PUBLISHER, CLAY COOL. TO IMPROVE THE SIZE AND CONTENT OF THIS BULLETIN WE MUST INCREASE CIRCULATION --- URGE YOUR FRIENDS TO SUBSCRIBE. FREE SAMPLES OF THE BULLETIN WILL BE SENT TO INTERESTED AMATEURS ON THEIR, OR YOUR, REQUEST. KEEP 'EM PRINTING!

A- R- T- S-

AMATEUR RADIOTELETYPE 'S

BULLETIN - PUBLISHED BY

CLAY COOL - W2EBZ

443 WEST 47 ST

NEW YORK 36, N Y

-- JU6-1968 --

FORM 3547 REQUESTED

CARL V DANIELS - W20DA

16 CARLTON TERRACE

RUTHERFORD, N J

(ASSISTANT EDITOR)

-- WE9-1903 --



FIRST CLASS MAIL

Amateur Radio Club W5YM
 University of Arkansas
 Engle Bldg. Rm. 209
 Fayetteville, Ark.